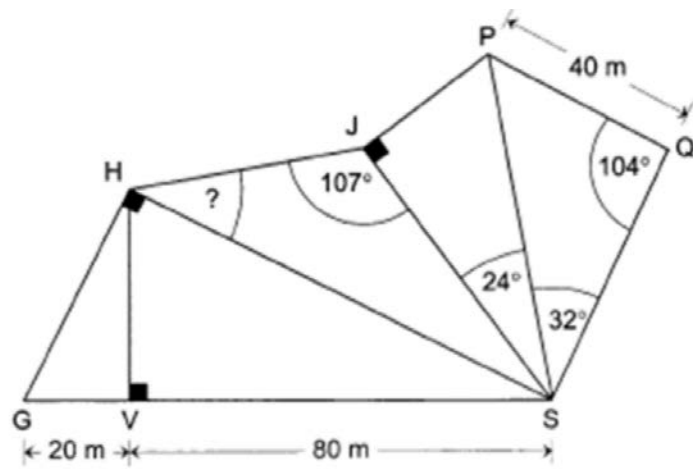
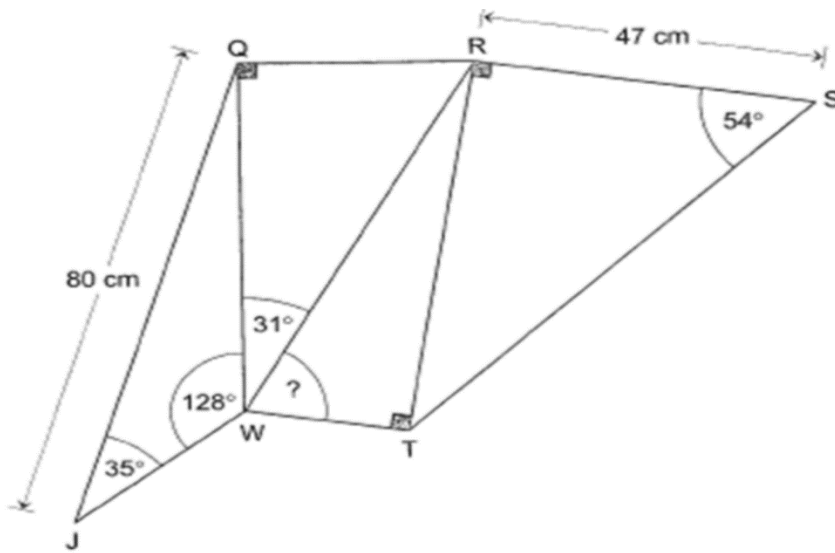


#1



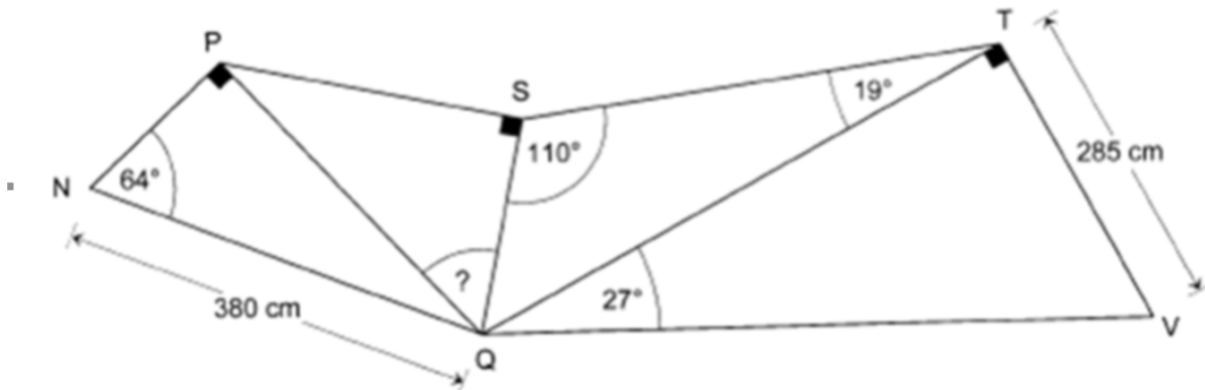
To the nearest tenth of a degree, what is the measure of angle JHS?

#2



To the nearest tenth of a degree, what is the measure of angle RWT?

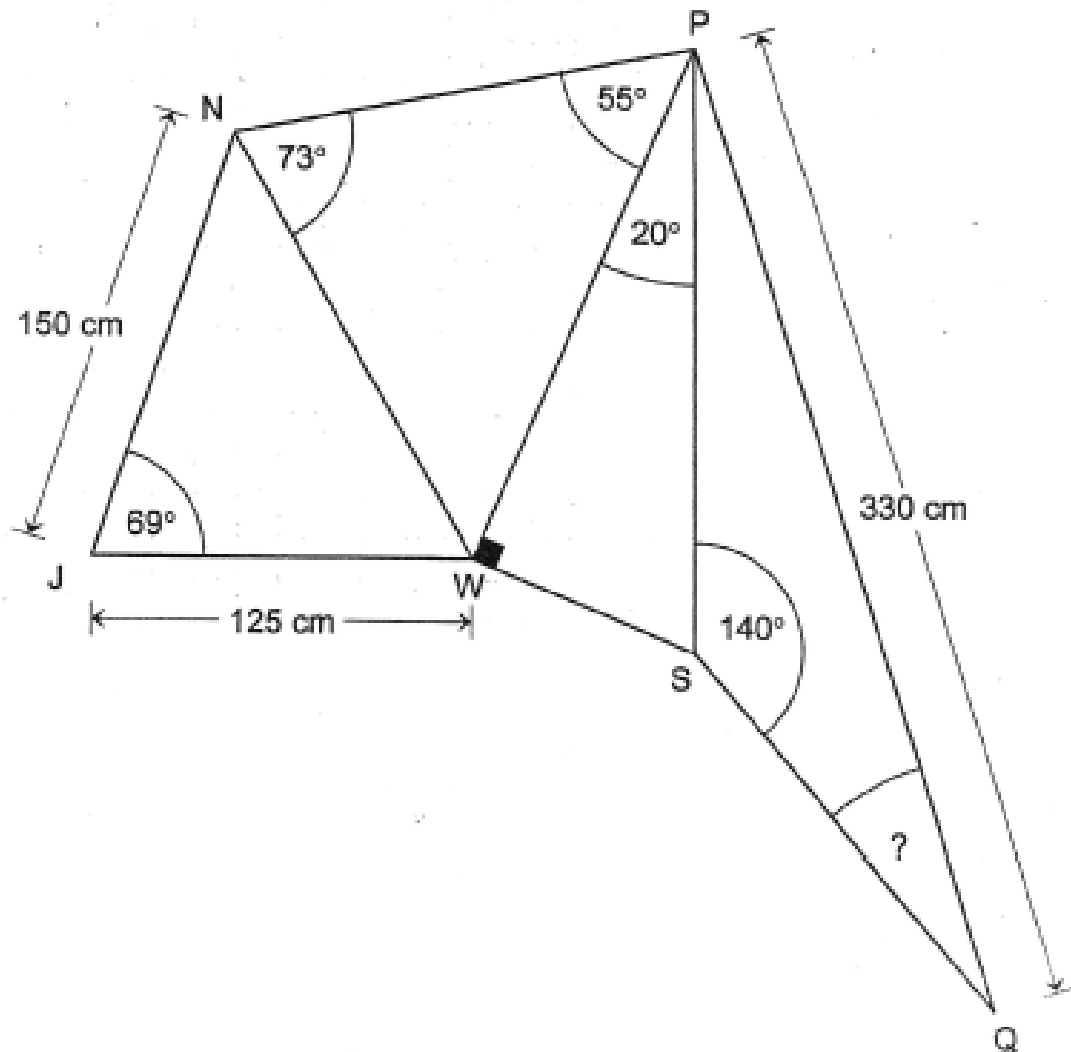
#3 Consider triangles NPQ, PSQ, STQ and QTV represented below.



To the nearest hundredth of a degree, what is the measure of angle PQS?

4

Consider triangles JNW, WNP, PWS and PQS represented below.



To the nearest tenth of a degree, what is the measure of angle PQS?